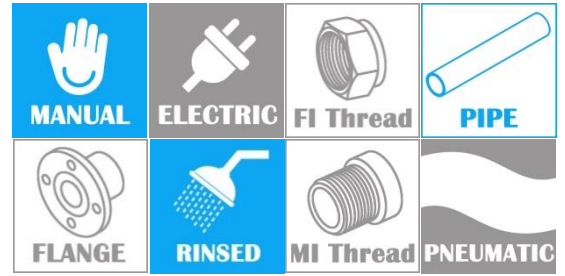
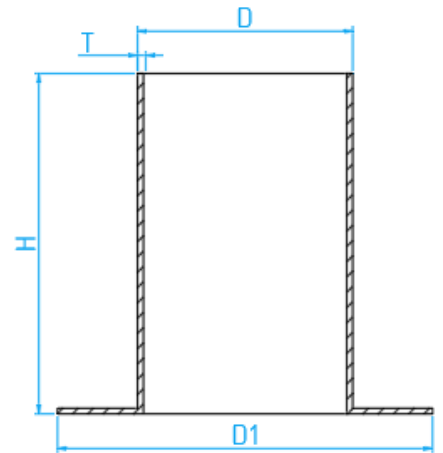


STAINLESS STEEL 304 PRESS FIT FITTINGS

COMPLY WITH BSEN1254-2: 1998
AS/NZS 4020: 2005



FLANGE SOCKET

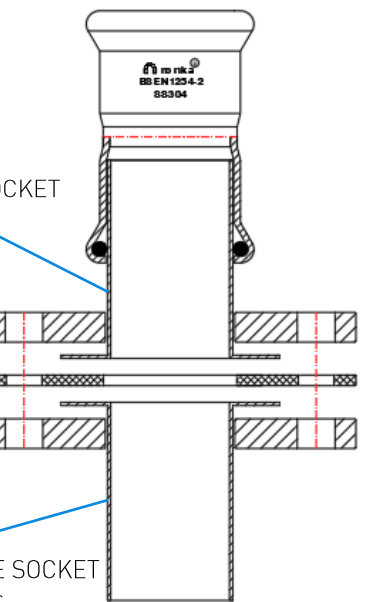


CROSS SECTIONAL VIEW

- DUCTILE IRON FLANGE
SKU: DIFMBL
- EPDM RUBBER GASKET
SKU: RFGN-PUB
- DUCTILE IRON FLANGE
SKU: DIFMBL

- SS304 FLANGE SOCKET
SKU:SSPFNFS

- SS304 FLANGE SOCKET
SKU:SSPFNFS



INSTALLATION ASSEMBLY

DIMENSIONS

SKU	DN (mm)	D (mm)	D1 (mm)	H (mm)	T (mm)	WEIGHT (kg)	PCS/CTN
SSPFNFP042	42	42.07	97	90	1.5	0.261	30
SSPFNFP050	54	54.07	107	100	1.5	0.352	45
SSPFNFP065	67	66.75	127	140	1.5	0.619	19
SSPFNFP080	76	76.30	142	150	2.0	0.665	14
SSPFNFP100	108	108.25	160	190	2.0	1.223	8